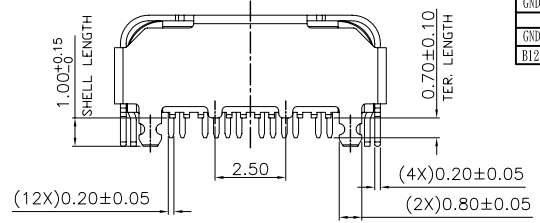
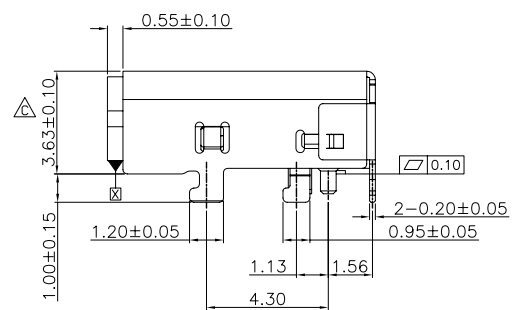
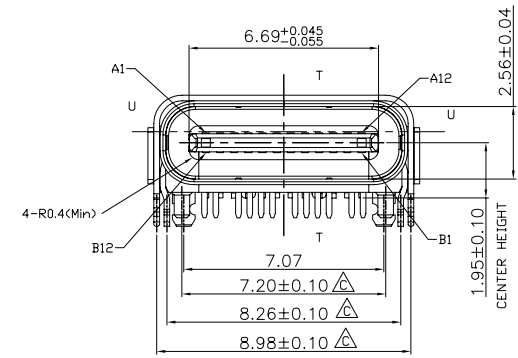
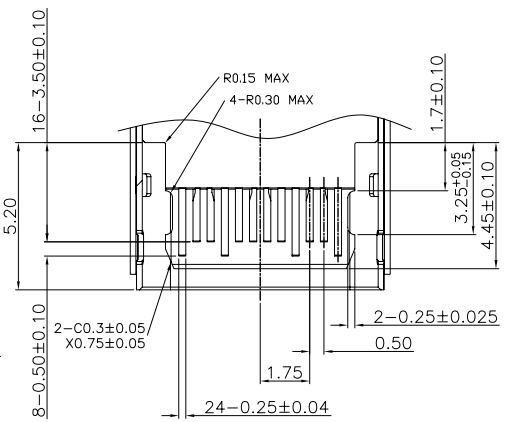
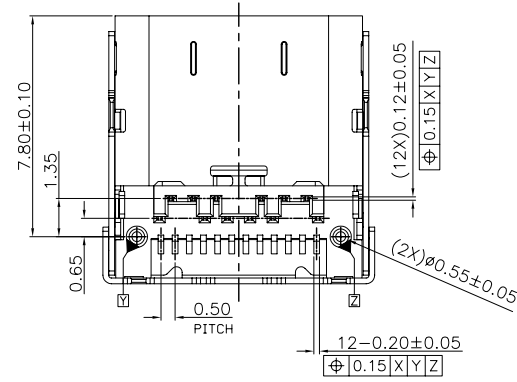
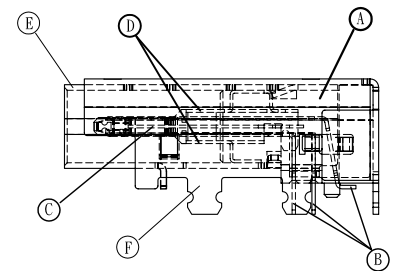
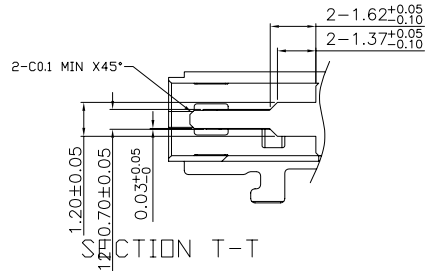


NOTES :

1. MATERIAL:
 - A. HOUSING : THERMOPLASTIC, HIGH TEMP, UL94V-0 .
 - B. CONTACT : COPPER ALLOY.
 - C. MID-PLATE : STAINLESS STEEL.
 - D. EMC PAD : STAINLESS STEEL.
 - E. SHELL : STAINLESS STEEL.
 - F. OUTER SHELL : STAINLESS STEEL.
2. FINISH:
 - 2.1 CONTACT : Au 30u" ON CONTACT AREA
80u"(Min) NICKEL UNDERPLATING OVERALL .
 - 2.2 OUTER SHELL : GOLD FLASH ON SOLDER AREA .
2. PART NUMBER : YMU077XXXX
 - 30=CONTACT AREA GOLD PLATED 30u"
 - 15=CONTACT AREA GOLD PLATED 15u"
 - 03=CONTACT AREA GOLD PLATED 3u"



PIN ASSIGNMENT											
A1	A2	A3	A4	A5	A6	A7	A8	A9	A10	A11	A12
GND	TX1	TX1-VBUS	CC1	D+	D-	RFU	VBUS	RX2-	RX2+	GND	
GND	RX1+	RX1-	VBUS	REF2	D-	D+	CC2	VBUS	TX2-	TX2+	GND
B12	B11	B10	B9	B8	B7	B6	B5	B4	B3	B2	B1



SECTION U-U

一般公差 TOLERANCES ANGLES ± 1° X. ± 0.50 .X ± 0.25 .XX ± 0.15 .XXX ± 0.10	A	設計發行	CS. CHEN 2018/01/17	P/NO	YMU078XXXX	
	⊕	TITLE	USB Type C Hybrid			
	SHEET	1/2	App.	Date	Chk.	Date
	SCALE	1:1	CHEN 2017/12/11	CHEN 2017/11/28	Bob 2017/10/25	
譽盛精密工業股份有限公司 Yue Sheng Exact industrial CO; LTD.						