

HALOGEN FREE

REV	DESCRIPTION	DWN	DATE
U	ADD CAV/IND	ALDD	2019-05-13
V	ADD DIMENSION	KELLY	2019-07-08

REVISIONS

NOTES :

1. MATERIAL:
 - A. HOUSING : LCP , HIGH TEMP(U94V-0 .
 - B. CONTACT : CU01.
 - C. MID-PLATE : SUS301.
 - D. SHELL : SUS304.
 - E. OUTER SHELL : SUS304.

2. FINISH:
CONTACT : Au ON CONTACT AREA(SEE NOTES 5)
1u" Au ON SOLDER AREA
50u"(Min) NICKEL UNDERPLATING OVERALL .

3. ELECTRICAL CHARACTERISTIC:
3-1 CURRENT RATING: 3A
VOLTAGE RATING: 5V

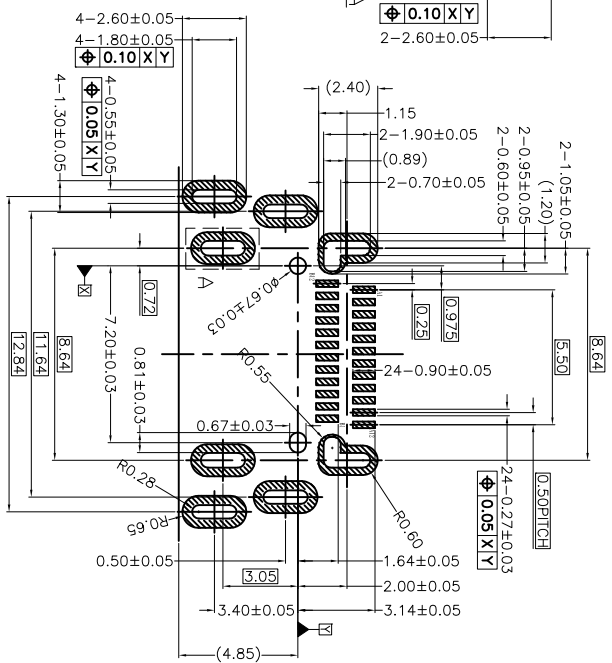
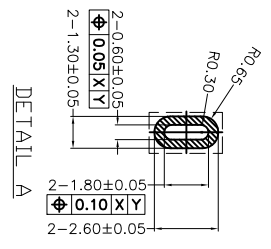
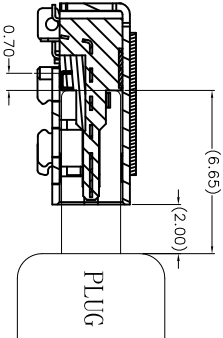
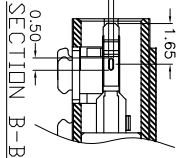
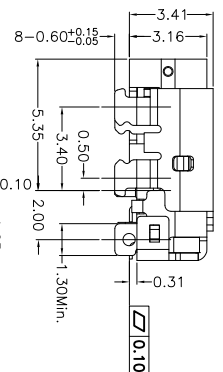
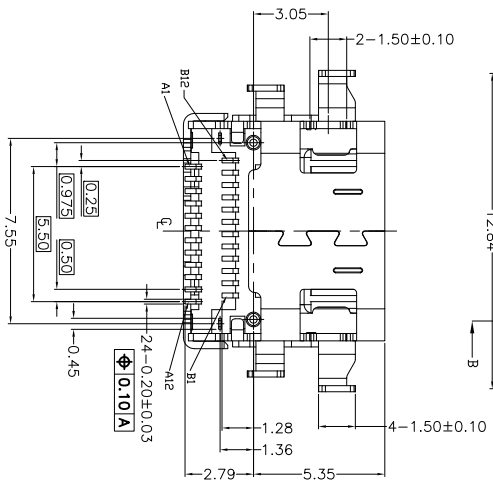
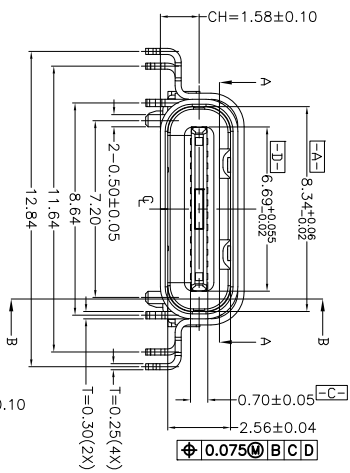
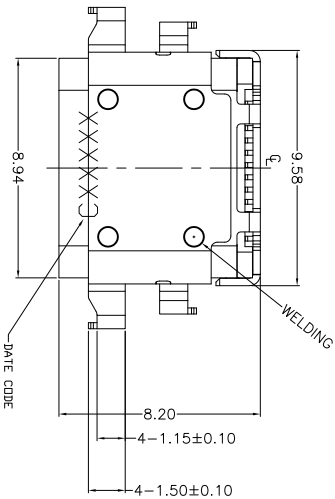
3-2. LOW LEVEL CONTACT RESISTANCE:
40mohms MAX. FOR VBUS, GND AND OTHER CONTACTS.
50mohms MAX. AFTER ENVIRONMENT TEST.

4. MECHANICAL CHARACTERISTIC:

- 4-1. INSERTION FORCE: 5~20N.
- 4-2. EXTRACTION FORCE: 8~20N.
- 4-3. DURABILITY: 10000 MATING CYCLES
- 4-4. OPERATING TEMPERATURE: -55°C TO +85°C.

5. P/N : YMU0791301-1

PLATING OF CONTACT AREA
30. 30u" Au



RECOMMENDED PCB LAYOUT (TDP VIEW)
PCB THICKNESS 0.80±0.05mm

PIN ASSIGNMENT	
A1	A2
A3	A4
A5	A6
A7	A8
A9	A10
A11	A12
GND	TY1
VBUS	CC1
D-	D+
RP01	VBUS
RV2-	RV2+
GND	RV1+
RV1-	VBUS
RV2-	RV2+
D-	D+
CC2	VBUS
TY2-	TY2+
GND	B12
B11	B10
B9	B8
B7	B6
B5	B4
B3	B2
B1	

GENERAL TOLERANCES (OTHERWISE SPECIFIED)	SCALE	DESIGN UNITS
Mm	NONE	MILIMETER

DATE	CHECKED BY	DATE
2018-07-08	KELLY	2018-10-31

DATE	APPROVED BY	DATE
2018-12-11	CHEN	2018-12-11

QUALITY SYMBOLS	DRAWING NO.
▽=0	YMU0791301-1

THIS DRAWING CONTAINS INFORMATION THAT IS PROPRIETARY TO VITECK CORP. LTD AND SHOULD NOT BE USED WITHOUT WRITTEN PERMISSION

譽盛精密工業股份有限公司
Yue Sheng Exact Industrial CO., LTD.

TITLE
USB TYPE C R/A DUAL-ROW SMT TYPE
CH=1.58mm H=3.41mm(New Inner Structure)

PART NO.
YMU0791301-1

THIRD ANGLE PROJECTION	DWG REV.	SHEET NO.	SIZE
1	V	1 OF 1	