

7

6

5

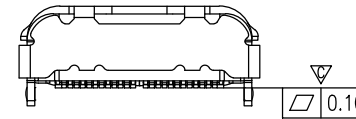
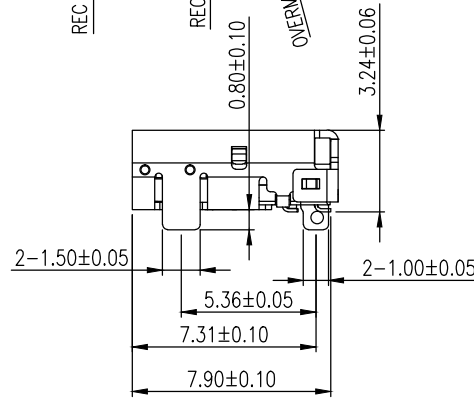
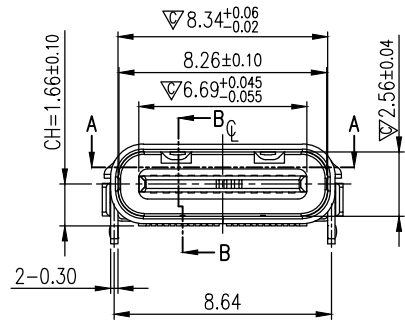
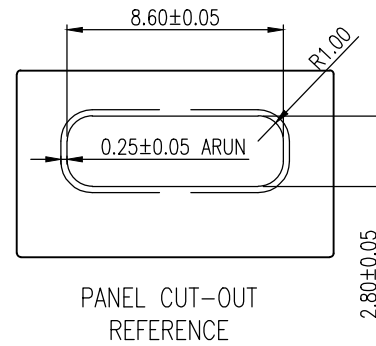
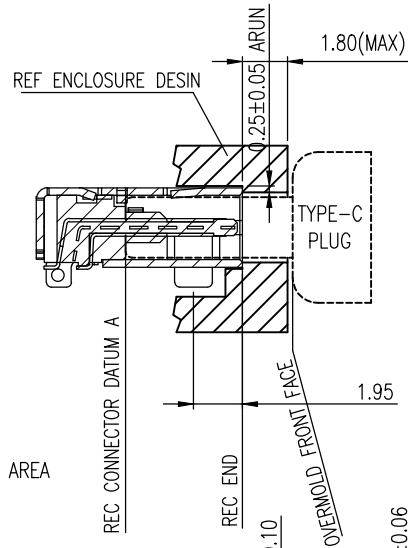
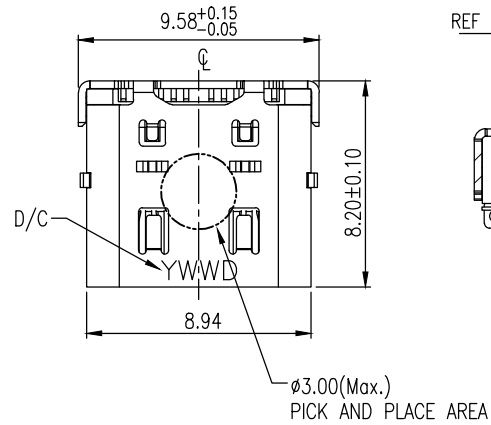
4

3

2

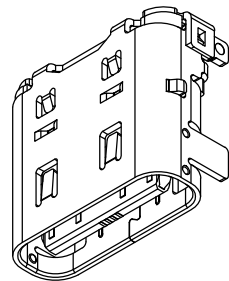
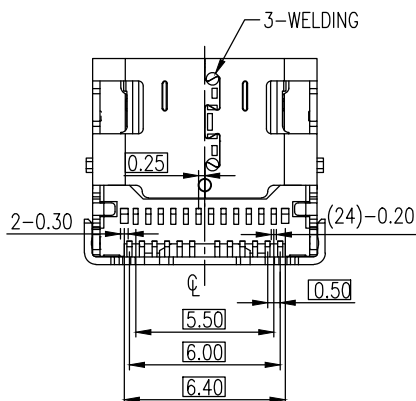
1

REVISIONS			
REV	DESCRIPTION	DWN	DATE
A	RELEASE REVISION	CHEN	2021-06-15
A1	CHANGE DATE CODE DIRECTION	CHEN	2022-05-30




## NOTES:

- MATERIAL:  
HOUSING: HIGH TEMPERATURE PLASTIC , COLOR=BLACK.  
CONTACT TERMINAL: COPPER ALLOY .  
GROUND TERMINAL: STAINLESS STEEL .  
LATCH: STAINLESS STEEL.  
SHELL: STAINLESS STEEL.  
MID-PLATE: STAINLESS STEEL.
- FINISH:  
CONTACT TERMINAL:  
CONTACT AREA: SELECTIVE PLATING;  
SOLDERING AREA: GOLD FLASH PLATING. ;  
UNDER PLATING: NICKEL PLATING 50." THICKNESS MIN.OVERALL.  
GROUND TERMINAL:  
SOLDERING AREA: GOLD FLASH PLATING. ;  
UNDER PLATING: NICKEL PLATING 10." THICKNESS MIN.OVERALL.  
SHELL:  
SOLDERING AREA: GOLD FLASH PLATING. ;  
UNDER PLATING: NICKEL PLATING 10." THICKNESS MIN.OVERALL.
- PRODUCT SPECIFICATION REFER TO : PS-7787.
- TEST SUMMARY REFER TO : TS-7787.
- THIS PRODUCT DOESN'T CONTAIN ENVIRONMENTAL HAZARDOUS PER DIRECTIVE 2011/65/EU FOR RoHS COMPLIANT OR PER IEC 61249-2-21 FOR HALOGEN-FREE COMPLIANT.
- CRITICAL DIMENSION ▼ SHOULD BE CONTROLLED BY SPC.
- MAJOR DIMENSION ▼ MUST BE CONTROLLED BY QIP.
- P/N : PART NO : YMU0831301-1  
CONTACT FINISH  
30: 30u" Au



GENERAL TOLERANCES (OTHERWISE SPECIFIED)		SCALE	DESIGN UNITS
	mm	NONE	MILIMETER
X.	±0.20	DRAWN BY	DATE
X.X	±0.15	BOB	2021-06-15
X.XX	±0.10	CHECKED BY	DATE
X.XXX	±0.05	BOB	2021-06-15
ANGLES	± °	APPROVED BY	DATE
		CHEN	2021-06-15
QUALITY SYMBOLS	▽=11 ▼=1	DRAWING NO.	
		YMU0831301-1	

 譽盛精密工業股份有限公司  
Yue Sheng Exact industrial CO; LTD.

TITLE :  
USB TYPE C R/A DUAL-ROW SMT TYPE  
CH=1.66mm

PART NO. YMU0831301-1

THIS DRAWING CONTAINS INFORMATION THAT IS PROPRIETARY TO YUE SHENG EXACT INDUSTRIAL CO; LTD AND SHOULD NOT BE USED WITHOUT WRITTEN PERMISSION

 THIRD ANGLE PROJECTION

DWG REV.	SHEET NO.	SIZE
A	1 OF 3	

7

6

5

4

3

2

1